

TDA2540 TDA2541

IF AMPLIFIER WITH DEMODULATOR AND AFC

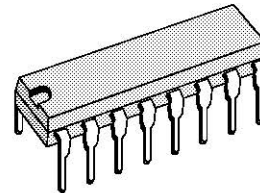
- SUPPLY VOLTAGE : 12V TYP
- SUPPLY CURRENT : 50mA TYP
- I.F. INPUT VOLTAGE SENSITIVITY AT $F = 38.9\text{MHz}$: $85\mu\text{V}_{\text{RMS}}$ TYP
- VIDEO OUTPUT VOLTAGE (white at 10% of top synchro) : 2.7V_{PP} TYP
- I.F. VOLTAGE GAIN CONTROL RANGE : 64dB TYP
- SIGNAL TO NOISE RATIO AT $V_i = 10\text{mV}$: 58dB TYP
- A.F.C. OUTPUT VOLTAGE SWING FOR $\Delta f = 100\text{kHz}$: 10V TYP

DESCRIPTION

The TDA2540 and 2541 are IF amplifier and A.M. demodulator circuits for colour and black and white television receivers using PNP or NPN tuners. They are intended for reception of negative or positive modulation CCIR standard.

They incorporate the following functions :

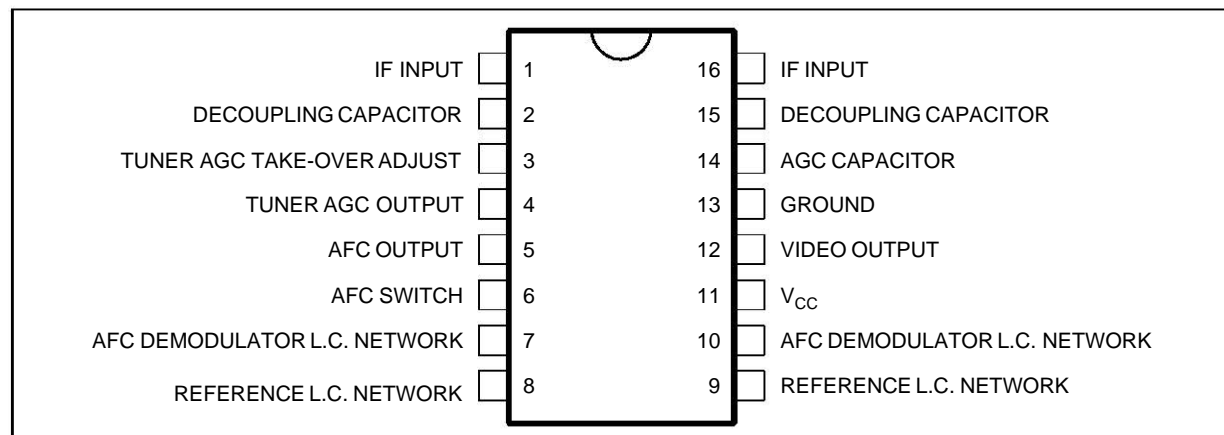
- Gain controlled amplifier
- Synchronous demodulator
- White spot inverter
- Video preamplifier with noise protection
- Switchable AFC
- AGC with noise gating
- Tuner AGC output (NPN tuner for 2540)-(PNP tuner for 2541)
- VCR switch for video output inhibition (VCR play back)



DIP16
(Plastic Package)

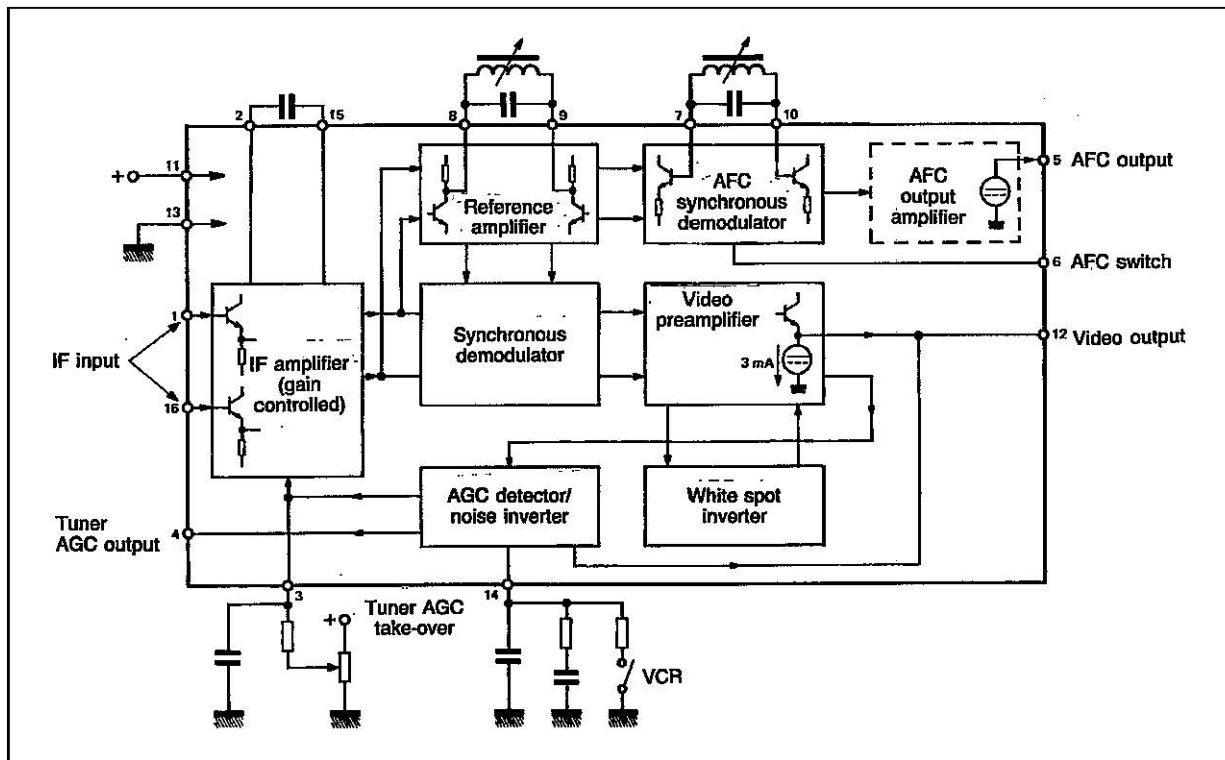
ORDER CODE : TDA2540-TDA2541

PIN CONNECTIONS



TDA2540 - TDA2541

BLOCK DIAGRAM



ABSOLUTE MAXIMUM RATINGS

Symbol	Parameter	Value	Unit
V (11-13)	Supply Voltage	13.8	V
V (4-13)	Tuner A.G.C. Voltage	12	V
P _{tot}	Power Dissipation	900	mW
T _{stg}	Storage Temperature	- 55 to + 125	°C
T _{amb}	Operating Ambient Temperature	0 to + 70	°C

THERMAL DATA

Symbol	Parameter	Value	Unit
R _{th (j-a)}	Junction - ambient Thermal Resistance	70	°C/W

ELECTRICAL OPERATING CHARACTERISTICS

T_{amb} = 25°C ; V₁₁₋₁₃ = 12V; f = 38.9MHz (unless otherwise specified)

Symbol	Parameter	Min.	Typ.	Max.	Unit
V ₁₁₋₁₃	Supply Voltage Range	10.2	12	13.8	V
I ₁₁	Supply Current		50	60	mA
V ₁₋₁₆	IF Input Voltage Sensitivity	60	85	180	μV _{RMS}
	Max Input Voltage (Pins 1-16)		140		mV
V ₁₂₋₁₃	Video Output Voltage		2.7		V _{pp}
Z ₁₋₁₆	Differential Input Impedance (in parallel with 2pF)		2		kΩ
V ₁₂₋₁₃	Zero Signal Output Level	5.7	6	6.3	V
V ₁₂₋₁₃	Top Synchro Output Level	2.9	3.07	3.2	V
ΔG _V	IF Voltage Gain Control Range	52	64		dB

ELECTRICAL OPERATING CHARACTERISTICS (continued)

T_{amb} = 25 °C; V (11 – 13) = 12 V; f = 38.9 MHz (unless otherwise specified)

Symbol	Parameter	Min.	Typ.	Max.	Unit
S/N	Signal to Noise Ratio (V _i = 10mV) (see note 1)	50	58		dB
B	Bandwidth of Video Amplifier (– 3dB)		6		MHz
dG	Differential Gain		4	10	%
dφ	Differential Phase		2	10	%
V ₁₂₋₁₃	Carrier Signal at Video Output (V _i = 10mV)		4	30	mV _{RMS}
V ₁₂₋₁₃	2nd Harmonic of Carrier at Video Output (V _i = 10mV)		20	30	mV _{RMS}
	Intermodulation at 1.1MHz (blue) (see Figures 2 and 3)	46	60		dB
	Intermodulation at 1.1MHz (yellow) (see Figures 2 and 3)	46	50		dB
	Intermodulation at 3.3MHz (blue) (see Figures 2 and 3)	46	54		dB
V ₁₄₋₁₃	VCR Switches Off Output at : (VCR = low Level)			1.1	V
	White Spot Inverter Threshold Level (see Figure 1)		6.6		V
	White Spot Insertion Level (see Figure 1)		4.7		V
	Noise Inverter Threshold Level (see Figure 1)		1.8		V
	Noise Insertion Level (see Figure 1)		3.8		V
I ₄	Tuner AGC output Current Range		0 to 10		mA
V ₁₄₋₁₃	Tuner AGC Output Voltage			0.3	V
I ₄	Tuner AGC Output Leakage Current TDA2541 V ₁₄₋₁₃ = 11V, V ₄₋₁₃ = 12V TDA2540 V ₁₄₋₁₃ = 5V, V ₄₋₁₃ = 12V			15	μA
ΔV ₅₋₁₃	AFC Output Voltage Swing (Δf = 100 kHz)	10	11		V
Δf	Change of Frequency at AFC Output (voltage swing of 10V)		100	200	kHz
V ₆₋₁₃	AFC Switches OFF (AFC = low level) at :			2.5	V
V ₆₋₁₃	AFC Switches LOW (AFC = High level) at :	3.2			V
V ₅₋₁₃	AFC Zero = Signal Output Voltage (minimum gain)	4	6	8	V

Note : 1. $\frac{S}{N} = \frac{V_o \text{ (black to white)}}{V_N \cdot (\text{RMS at } B = 5\text{MHz})}$ (dB)

Figure 1 : Video Output Waveform Showing White Spot and Noise Inverter Threshold Levels

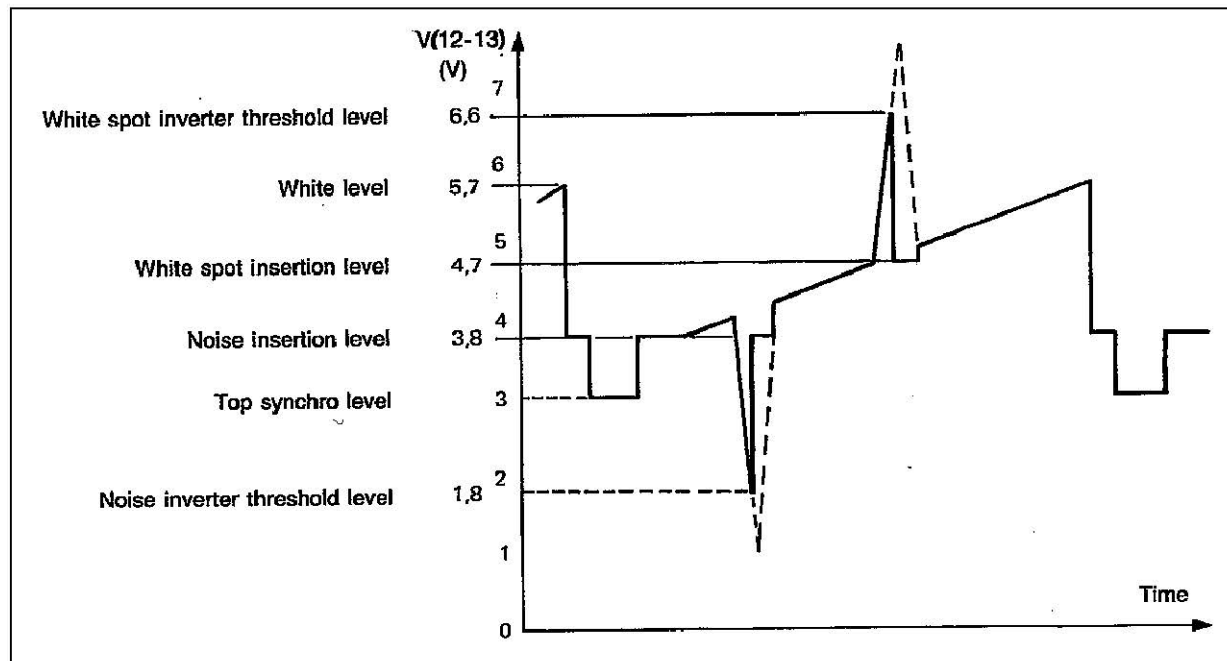


Figure 2 : Input Conditions for Intermodulation Measurements

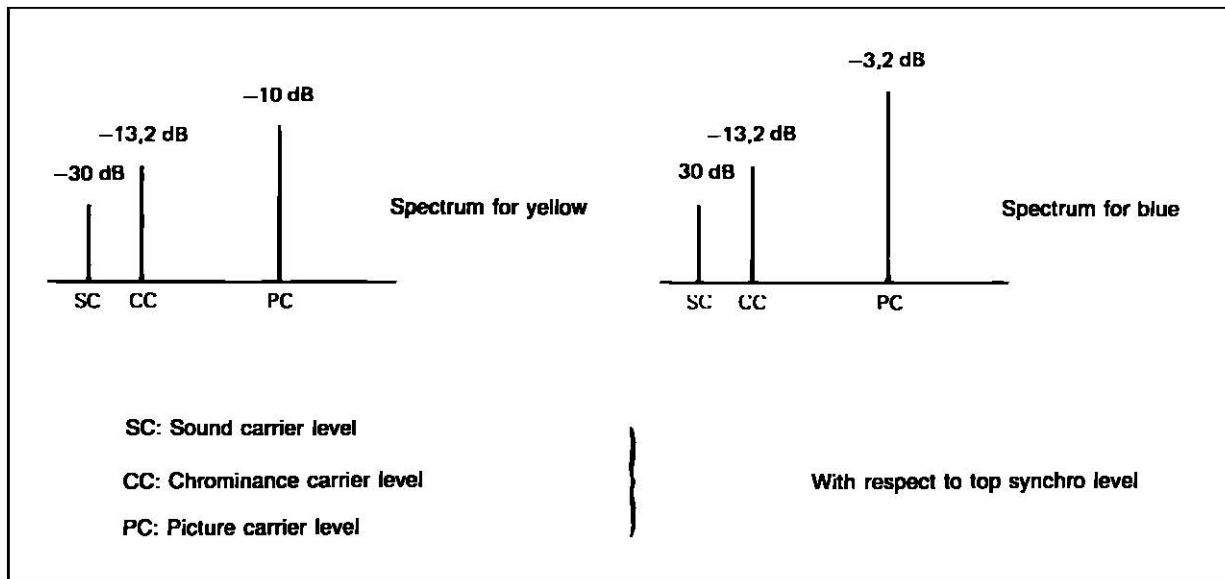


Figure 3 : Test Set-up for Intermodulation

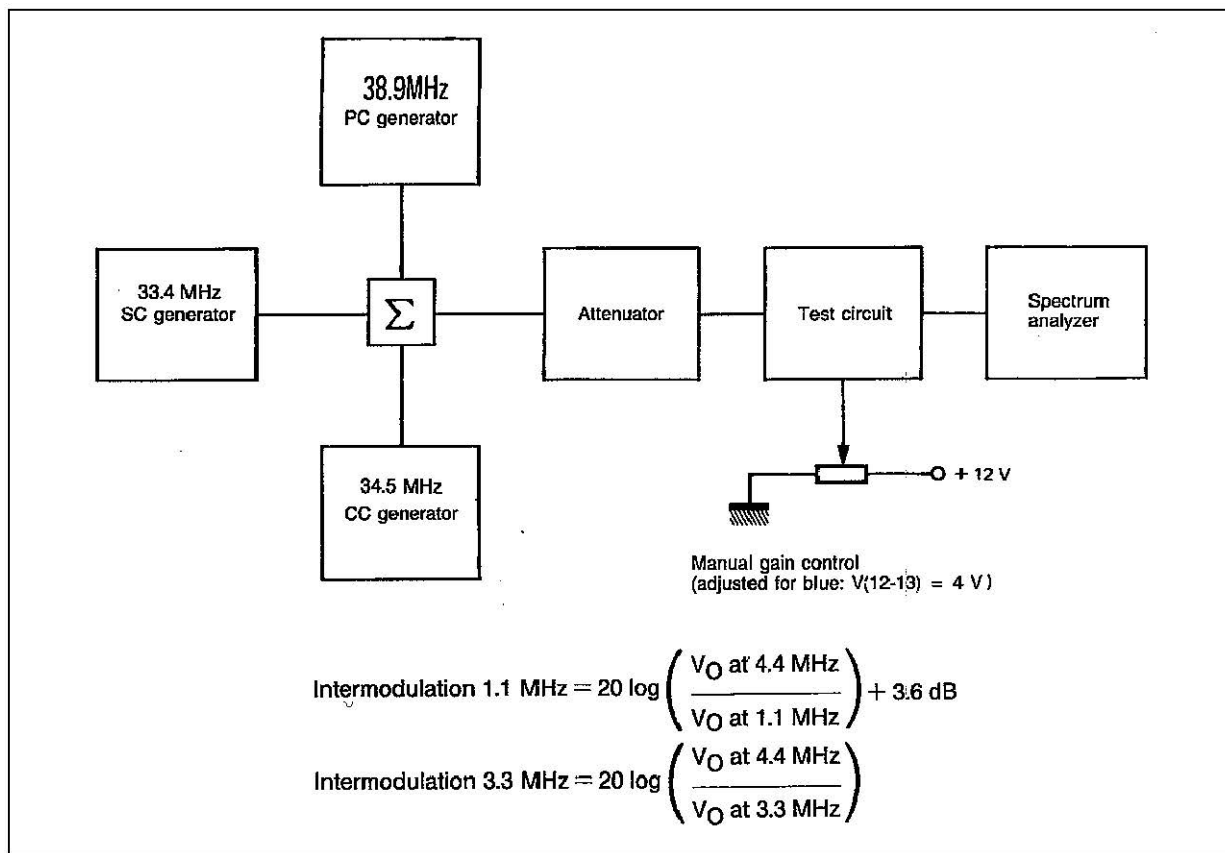


Figure 4 : AFC Voltage versus Frequency V_{5-13}

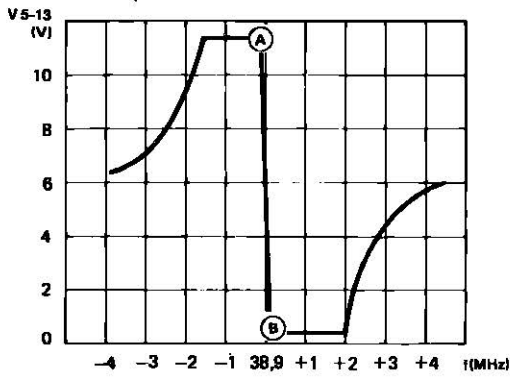


Fig. 4 — AFC VOLTAGE VERSUS FREQUENCY V 5-13

2540-06.EPS

Figure 5 : AFC Voltage versus Frequency V_{5-13}

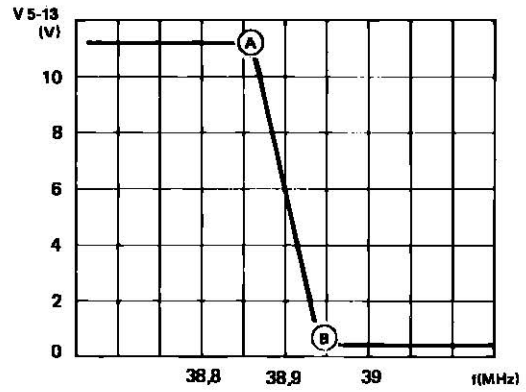


Fig. 5 — AFC VOLTAGE VERSUS FREQUENCY V 5-13

Figure 6 : Signal/Noise Ratio versus Input Voltage V_{1-16}

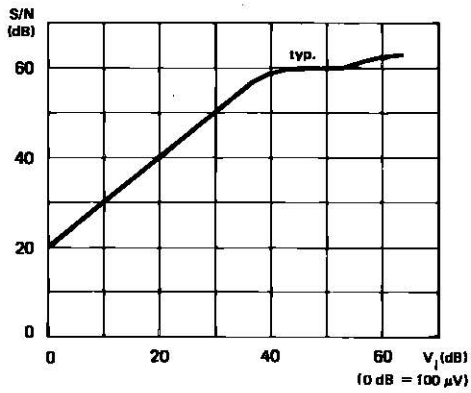
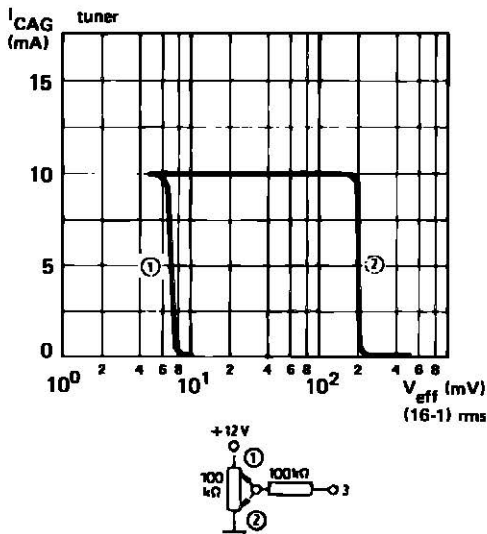


Fig. 6 — SIGNAL/NOISE RATIO VERSUS INPUT VOLTAGE V 1-16

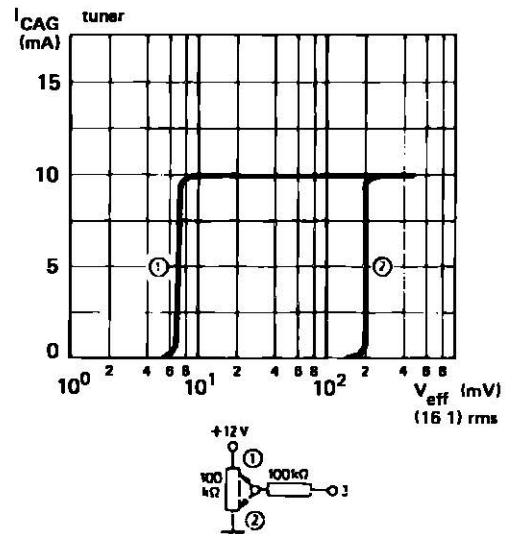
2540-08.EPS

Figure 7 : AGC Tuner Current Curve
TDA2540



2540-09.EPS

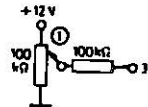
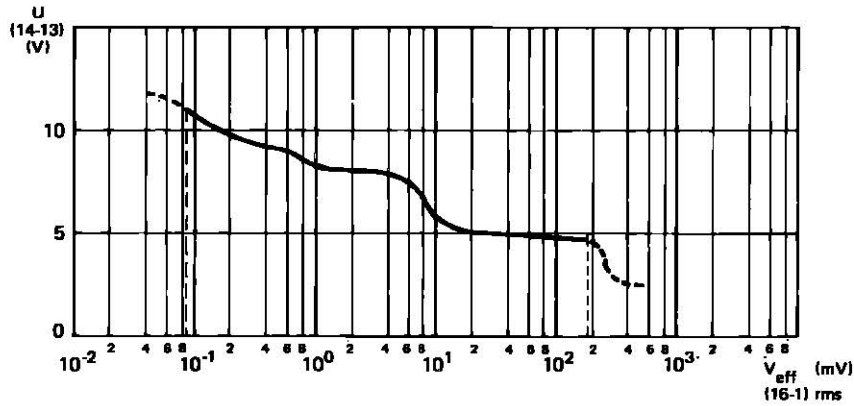
TDA2541



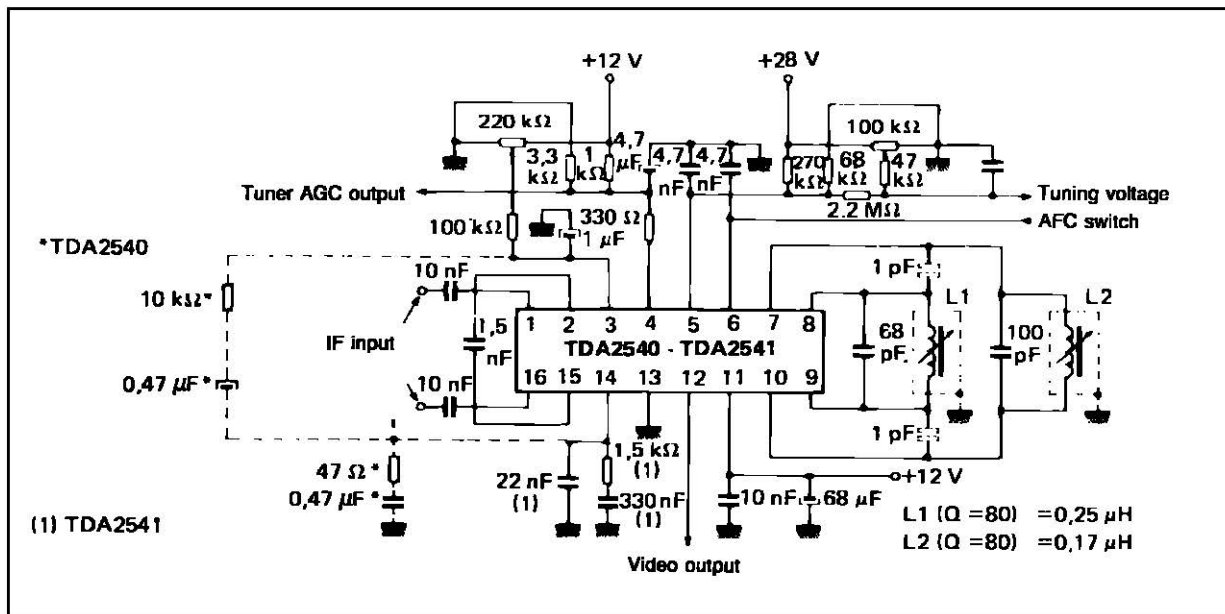
TDA2540 - TDA2541

Figure 7 : AGC Tuner Current Curve (continued)

TDA2540 - TDA2541

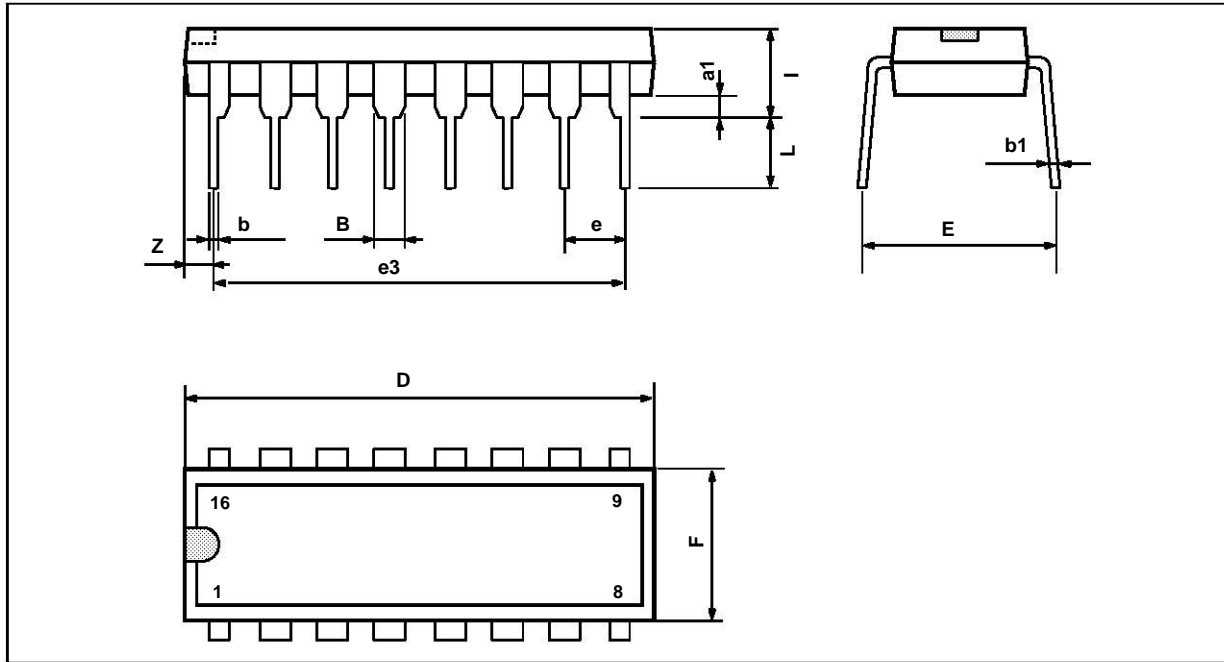


APPLICATION CIRCUIT



PACKAGE MECHANICAL DATA

16 PINS – PLASTIC DIP



Dimensions	Millimeters			Inches		
	Min.	Typ.	Max.	Min.	Typ.	Max.
a1	0.51			0.020		
B	0.77		1.65	0.030		0.065
b		0.5			0.020	
b1		0.25			0.010	
D			20			0.787
E		8.5			0.335	
e		2.54			0.100	
e3		17.78			0.700	
F			7.1			0.280
i			5.1			0.201
L		3.3			0.130	
Z			1.27			0.050