

HCPL2601 OPTOCOUPLER/OPTOISOLATOR

SOOS009 D2968, NOVEMBER 1986

- Gallium Arsenide Phosphide LED Optically Coupled to an Integrated Circuit Detector
- Internal Shield for Common-Mode Rejection
- Compatible with TTL and LSTTL Inputs
- Low Input Current Required to Turn Output On . . . 5 mA Max
- High-Voltage Electrical Insulation . . . 3000 V DC Min
- High-Speed Switching . . . 75 ns Max
- UL Recognized . . . File Number E65085
- Directly Interchangeable with Hewlett Packard HCPL2601

description

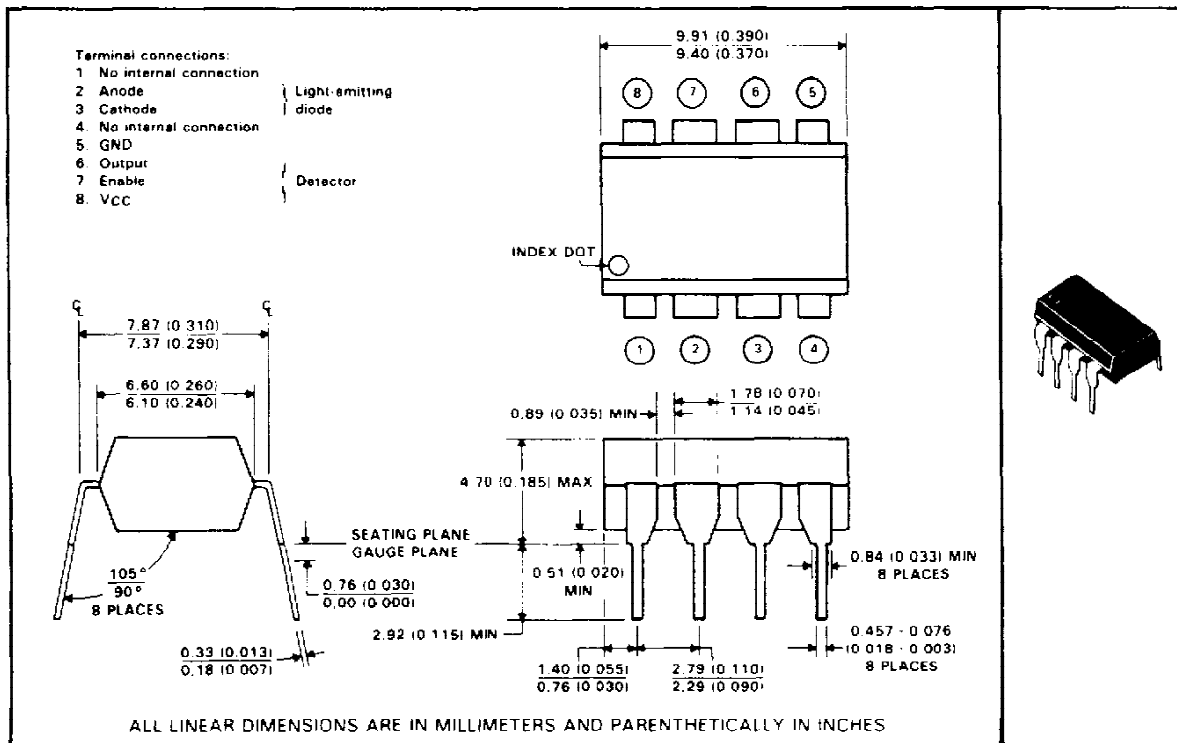
The HCPL2601 optocoupler is designed for use in high-speed digital interfacing applications that require high-voltage isolation between the input and output. It is recommended for use in extremely high ground-noise and induced-noise environments. Applications include line receivers, microprocessors or computer interface, digital programming of floating power supplies, motors, and other control systems.

The HCPL2601 high-speed optocoupler consists of a GaAsP light-emitting diode and an integrated light detector composed of a photodiode, a high-gain amplifier, and a Schottky-clamped open-collector output transistor. An input diode forward current of 5 milliamperes will switch the output transistor low, providing an on-state drive current of 13 milliamperes (eight 1.6-milliampere TTL loads). A TTL-compatible enable input is provided for applications that require output-transistor gating.

The HCPL2601 is mounted in a standard 8-pin dual-in-line plastic package.

The HCPL2601 is characterized for operation over the temperature range of 0°C to 70°C. The internal shield provides a guaranteed common-mode transient immunity of 1000 volts/microsecond minimum.

mechanical data



PRODUCTION DATA documents contain information current as of publication date. Products conform to specifications per the terms of Texas Instruments standard warranty. Production processing does not necessarily include testing of all parameters.

**TEXAS
INSTRUMENTS**

POST OFFICE BOX 655303 • DALLAS, TEXAS 75265

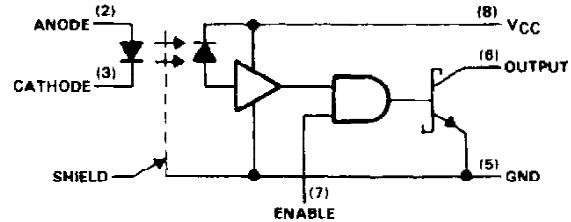
Copyright © 1986, Texas Instruments Incorporated

HCPL2601
OPTOCOUPLER/OPTOISOLATOR

FUNCTION TABLE

INPUT	ENABLE	OUTPUT
$I_{F(on)}$	H	L
$I_{F(off)}$	X	H
X	L	H

logic diagram (positive logic)



absolute maximum ratings over operating free-air temperature range (unless otherwise noted)

Supply voltage, V_{CC}	7 V
Reverse input voltage	5 V
Enable input voltage (not to exceed V_{CC} by more than 500 mV)	5.5 V
Output voltage	7 V
Peak forward input current (≤ 1 ms duration)	40 mA
Average forward input current	20 mA
Output current	25 mA
Output power dissipation	40 mW
Storage temperature range	-55°C to 125°C
Operating free-air temperature range	0°C to 70°C
Lead temperature 1,6 mm (1/16 inch) from case for 10 seconds	260°C

recommended operating conditions

		MIN	NOM	MAX	UNIT
V_{CC}	Output supply voltage (see Note 1)	4.5	5	5.5	V
$V_{IH(EN)}$	High-level enable input voltage (see Note 2)	2		V_{CC}	V
$V_{IL(EN)}$	Low-level enable input voltage	0		0.8	V
$I_{F(on)}$	Input forward current to turn output on	6.3		15	mA
$I_{F(off)}$	Input forward current to turn output off	0		250	μA
I_{OL}	Low-level (on-state) output current			13	mA
T_A	Operating free-air temperature	0		70	$^{\circ}\text{C}$

- NOTES: 1. All voltage values are with respect to GND (pin 5).
 2. No external pullup is required at the enable input; an open circuit will establish the high level.

HCPL2601 OPTOCOUPLER/OPTOISOLATOR

electrical characteristics over recommended operating free-air temperature range (unless otherwise noted)

PARAMETER		TEST CONDITIONS	MIN	TYP [†]	MAX	UNIT
V _F	Input forward voltage	I _F = 10 mA, T _A = 25°C		1.6	1.75	V
α _{VF}	Temperature coefficient of forward voltage	I _F = 10 mA		-1.8		mV/°C
V _{BR}	Input reverse breakdown voltage	I _R = 10 μA, T _A = 25°C	5			V
V _{OL}	Low-level output voltage	V _{CC} = 5.5 V, V _(EN) = 2 V, I _F = 5 mA, I _{OL} = 13 mA		0.23	0.6	V
I _{OH}	High-level output current	V _{CC} = 5.5 V, V _O = 5.5 V, V _(EN) = 2 V, I _F = 250 μA			250	μA
I _{H(EN)}	High-level enable input current	V _{CC} = 5.5 V, V _(EN) = 2 V		-0.2		mA
I _{L(EN)}	Low-level enable input current	V _{CC} = 5.5 V, V _(EN) = 0.5 V		-0.5	-2	mA
I _{CCH}	Supply current, high-level output	V _{CC} = 5.5 V, V _(EN) = 0.5 V, I _F = 0		10	15	mA
I _{CCL}	Supply current, low-level output	V _{CC} = 5.5 V, V _(EN) = 0.5 V, I _F = 10 mA		13	19	mA
I _{IO}	Input-output insulation leakage current	V _{IO} = 3000 V, t = 5 s, T _A = 25°C, RH = 45%, See Note 1			1	μA
r _{IO}	Input-output resistance	V _{IO} = 500 V, T _A = 25°C, See Note 1		10 ¹²		Ω
C _i	Input capacitance	V _F = 0, f = 1 MHz		60		pF
C _{io}	Input-output capacitance	f = 1 MHz, T _A = 25°C, See Note 1		0.6		pF

[†]All typical values are at V_{CC} = 5 V, T_A = 25°C.

NOTE 1: These parameters are measured between pins 2 and 3 shorted together and pins 5, 6, 7, and 8 shorted together.

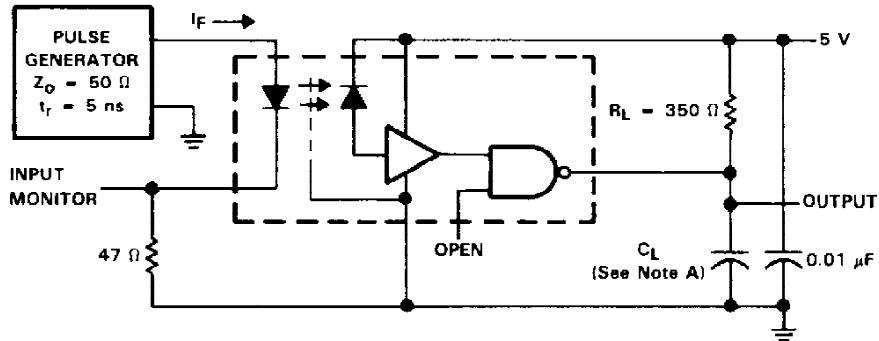
switching characteristics at V_{CC} = 5 V, T_A = 25°C

PARAMETER		TEST CONDITIONS	MIN	TYP	MAX	UNIT
t _{PLH}	Propagation delay time, low-to-high level output, from LED input	I _F = 7.5 mA, R _L = 350 Ω, C _L = 15 pF, See Figure 1		42	75	ns
t _{PHL}	Propagation delay time, high-to-low level output, from LED input	I _F = 7.5 mA, R _L = 350 Ω, C _L = 15 pF, See Figure 1		42	75	ns
t _{PLH(EN)}	Propagation delay time, low-to-high level output, from enable	I _F = 7.5 mA, R _L = 350 Ω, C _L = 15 pF, See Figure 2		40		ns
t _{PHL(EN)}	Propagation delay time, high-to-low level output, from enable	I _F = 7.5 mA, R _L = 350 Ω, C _L = 15 pF, See Figure 2		25		ns
t _r	Rise time	I _F = 7.5 mA, R _L = 350 Ω, C _L = 15 pF		20		ns
t _f	Fall time	I _F = 7.5 mA, R _L = 350 Ω, C _L = 15 pF		30		ns
$\frac{dV_{CM}}{dt}$ (H)	Common-mode input transient immunity, high-level output	ΔV _{CM} = 50 V, I _F = 0, R _L = 350 Ω, See Note 2 and Figure 3	1000	10000		V/μs
$\frac{dV_{CM}}{dt}$ (L)	Common-mode input transient immunity, low-level output	ΔV _{CM} = -50 V, I _F = 7.5 mA, R _L = 350 Ω, See Note 2 and Figure 3	-1000	-1000		V/μs

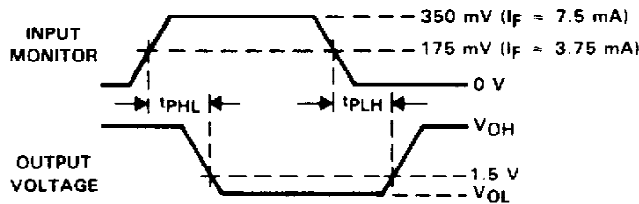
NOTE 2: Common-mode input transient immunity, high-level output, is the maximum rate of rise of the common-mode input voltage that does not cause the output voltage to drop below 2 V. Common-mode input transient immunity, low-level output, is the maximum rate of fall of the common-mode input voltage that does not cause the output voltage to rise above 0.8 V.

**HCPL2601
OPTOCOUPLER/OPTOISOLATOR**

PARAMETER MEASUREMENT INFORMATION

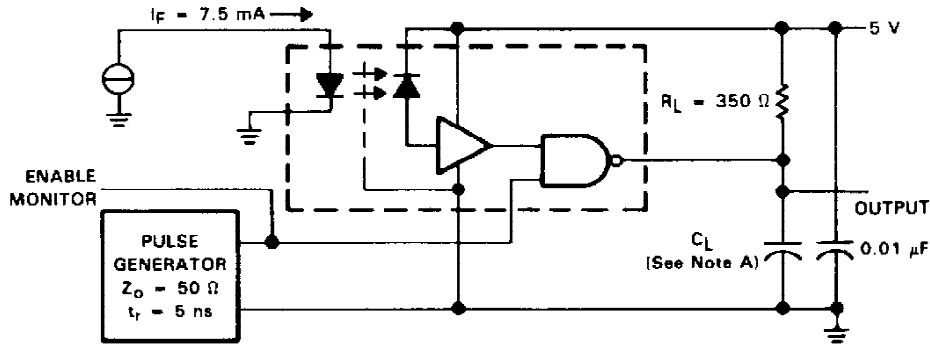


TEST CIRCUIT

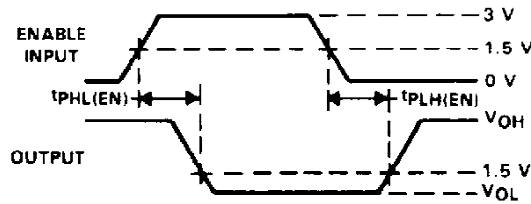


WAVEFORMS

FIGURE 1. t_{PLH} AND t_{PHL} FROM LED INPUT TEST CIRCUIT AND WAVEFORMS



TEST CIRCUIT



VOLTAGE WAVEFORMS

FIGURE 2. $t_{PLH(EN)}$ AND $t_{PHL(EN)}$ FROM ENABLE TEST CIRCUIT AND WAVEFORMS

NOTE A: C_L is approximately 15 pF, which includes probe and stray wiring capacitances.

PARAMETER MEASUREMENT INFORMATION

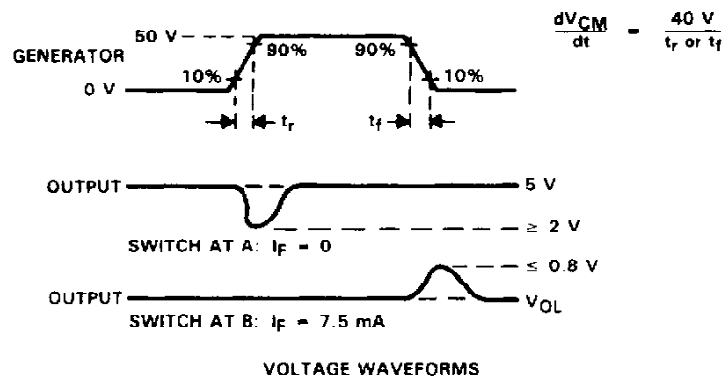
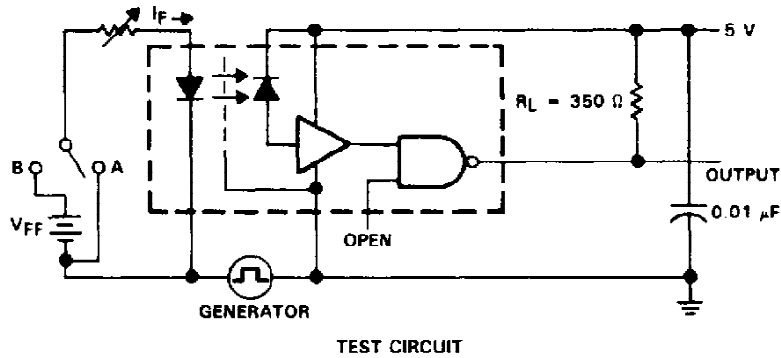


FIGURE 3. TRANSIENT IMMUNITY TEST CIRCUIT AND WAVEFORMS

TYPICAL APPLICATION INFORMATION

A ceramic capacitor (0.01 μF to 0.1 μF) should be connected between pins 8 and 5 to stabilize the high-gain amplifier. The total lead length between the capacitor and the optocoupler should not exceed 20 mm (0.8 inches). Failure to provide a bypass capacitor may result in impaired switching characteristics.

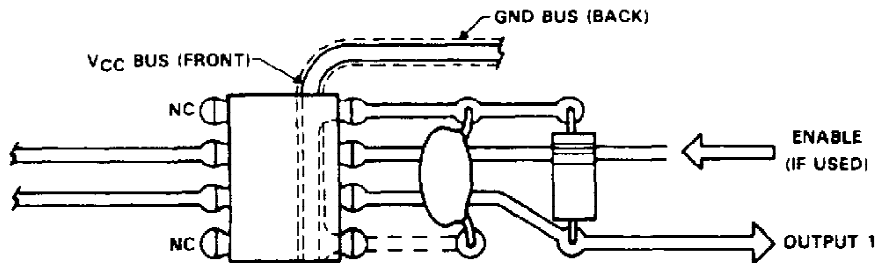
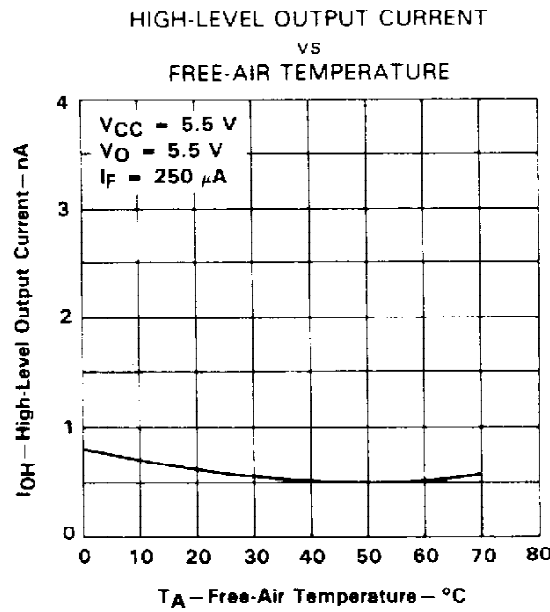
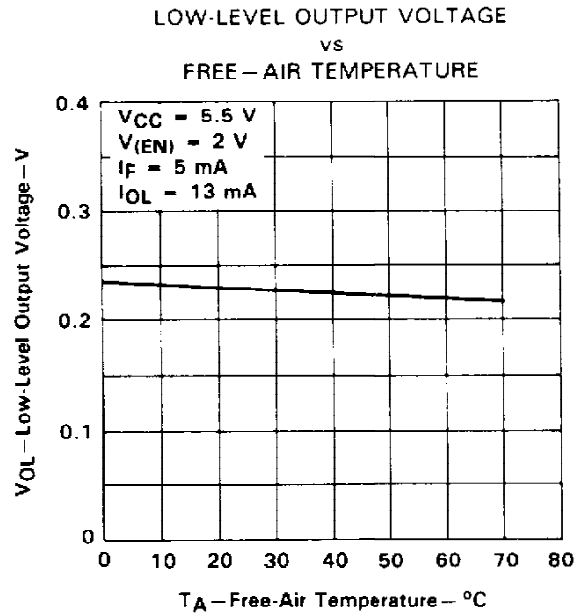
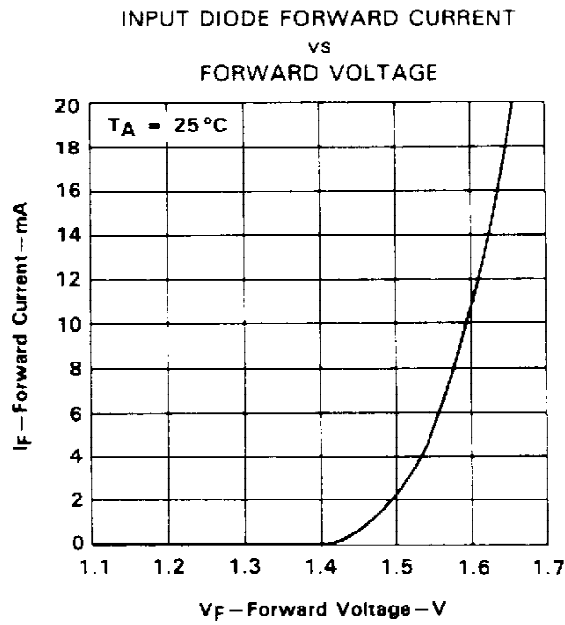


FIGURE 4. RECOMMENDED PRINTED CIRCUIT BOARD LAYOUT

TYPICAL CHARACTERISTICS



TYPICAL CHARACTERISTICS

PROPAGATION DELAY TIME FROM LED INPUT
vs
PULSE FORWARD CURRENT

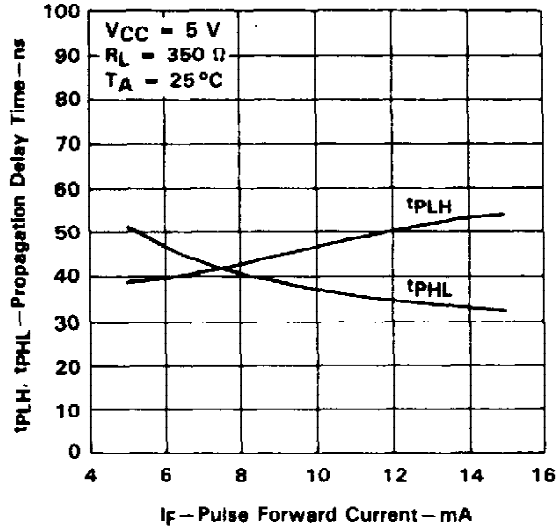


FIGURE 8

PROPAGATION DELAY TIME FROM LED INPUT
vs
LOAD RESISTANCE

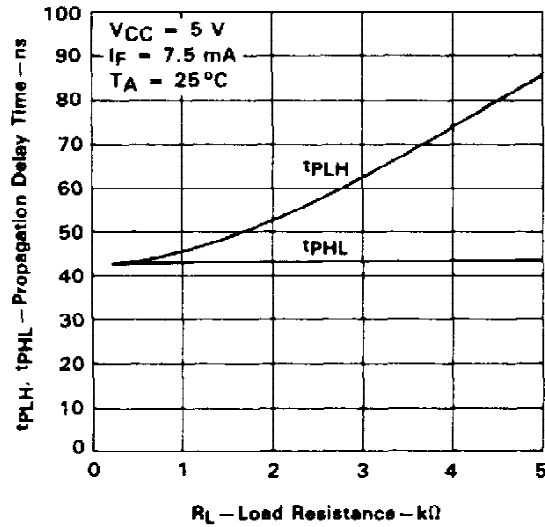


FIGURE 9

IMPORTANT NOTICE

Texas Instruments (TI) reserves the right to make changes to its products or to discontinue any semiconductor product or service without notice, and advises its customers to obtain the latest version of relevant information to verify, before placing orders, that the information being relied on is current.

TI warrants performance of its semiconductor products and related software to the specifications applicable at the time of sale in accordance with TI's standard warranty. Testing and other quality control techniques are utilized to the extent TI deems necessary to support this warranty. Specific testing of all parameters of each device is not necessarily performed, except those mandated by government requirements.

Certain applications using semiconductor products may involve potential risks of death, personal injury, or severe property or environmental damage ("Critical Applications").

TI SEMICONDUCTOR PRODUCTS ARE NOT DESIGNED, INTENDED, AUTHORIZED, OR WARRANTED TO BE SUITABLE FOR USE IN LIFE-SUPPORT APPLICATIONS, DEVICES OR SYSTEMS OR OTHER CRITICAL APPLICATIONS.

Inclusion of TI products in such applications is understood to be fully at the risk of the customer. Use of TI products in such applications requires the written approval of an appropriate TI officer. Questions concerning potential risk applications should be directed to TI through a local SC sales office.

In order to minimize risks associated with the customer's applications, adequate design and operating safeguards should be provided by the customer to minimize inherent or procedural hazards.

TI assumes no liability for applications assistance, customer product design, software performance, or infringement of patents or services described herein. Nor does TI warrant or represent that any license, either express or implied, is granted under any patent right, copyright, mask work right, or other intellectual property right of TI covering or relating to any combination, machine, or process in which such semiconductor products or services might be or are used.

IMPORTANT NOTICE

Texas Instruments and its subsidiaries (TI) reserve the right to make changes to their products or to discontinue any product or service without notice, and advise customers to obtain the latest version of relevant information to verify, before placing orders, that information being relied on is current and complete. All products are sold subject to the terms and conditions of sale supplied at the time of order acknowledgment, including those pertaining to warranty, patent infringement, and limitation of liability.

TI warrants performance of its products to the specifications applicable at the time of sale in accordance with TI's standard warranty. Testing and other quality control techniques are utilized to the extent TI deems necessary to support this warranty. Specific testing of all parameters of each device is not necessarily performed, except those mandated by government requirements.

Customers are responsible for their applications using TI components.

In order to minimize risks associated with the customer's applications, adequate design and operating safeguards must be provided by the customer to minimize inherent or procedural hazards.

TI assumes no liability for applications assistance or customer product design. TI does not warrant or represent that any license, either express or implied, is granted under any patent right, copyright, mask work right, or other intellectual property right of TI covering or relating to any combination, machine, or process in which such products or services might be or are used. TI's publication of information regarding any third party's products or services does not constitute TI's approval, license, warranty or endorsement thereof.

Reproduction of information in TI data books or data sheets is permissible only if reproduction is without alteration and is accompanied by all associated warranties, conditions, limitations and notices. Representation or reproduction of this information with alteration voids all warranties provided for an associated TI product or service, is an unfair and deceptive business practice, and TI is not responsible nor liable for any such use.

Resale of TI's products or services with statements different from or beyond the parameters stated by TI for that product or service voids all express and any implied warranties for the associated TI product or service, is an unfair and deceptive business practice, and TI is not responsible nor liable for any such use.

Also see: [Standard Terms and Conditions of Sale for Semiconductor Products](http://www.ti.com/sc/docs/stdterms.htm). www.ti.com/sc/docs/stdterms.htm

Mailing Address:

Texas Instruments
Post Office Box 655303
Dallas, Texas 75265