

## Light Dependent Resistor - LDR

Two cadmium sulphide(cds) photoconductive cells with spectral responses similar to that of the human eye. The cell resistance falls with increasing light intensity. Applications include smoke detection, automatic lighting control, batch counting and burglar alarm systems.



### Applications

Photoconductive cells are used in many different types of circuits and applications.

#### Analog Applications

- Camera Exposure Control
- Auto Slide Focus - dual cell
- Photocopy Machines - density of toner
- Colorimetric Test Equipment
- Densitometer
- Electronic Scales - dual cell
- Automatic Gain Control – modulated light source
- Automated Rear View Mirror

#### Digital Applications

- Automatic Headlight Dimmer
- Night Light Control
- Oil Burner Flame Out
- Street Light Control
- Absence / Presence (beam breaker)
- Position Sensor

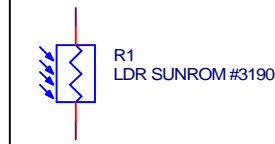
### Electrical Characteristics

Parameter	Conditions	Min	Typ	Max	Unit
Cell resistance	1000 LUX	-	400	-	Ohm
	10 LUX	-	9	-	K Ohm
Dark Resistance	-	-	1	-	M Ohm
Dark Capacitance	-	-	3.5	-	pF
Rise Time	1000 LUX	-	2.8	-	ms
	10 LUX	-	18	-	ms
Fall Time	1000 LUX	-	48	-	ms
	10 LUX	-	120	-	ms
Voltage AC/DC Peak		-	-	320	V max
Current		-	-	75	mA max
Power Dissipation				100	mW max
Operating Temperature		-60	-	+75	Deg. C

## Guide to source illuminations

Light source Illumination	LUX
Moonlight	0.1
60W Bulb at 1m	50
1W MES Bulb at 0.1m	100
Fluorescent Lighting	500
Bright Sunlight	30,000

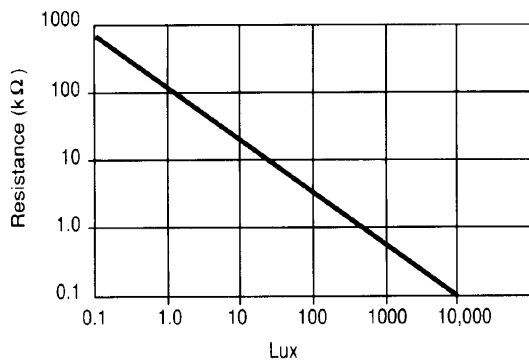
FIGURE 1 CIRCUIT SYMBOL



## Sensitivity

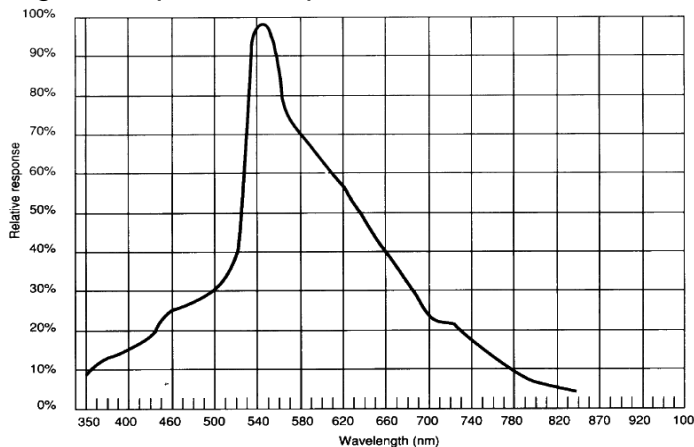
The sensitivity of a photodetector is the relationship between the light falling on the device and the resulting output signal. In the case of a photocell, one is dealing with the relationship between the incident light and the corresponding resistance of the cell.

FIGURE 2 RESISTANCE AS FUNCTION OF ILLUMINATION



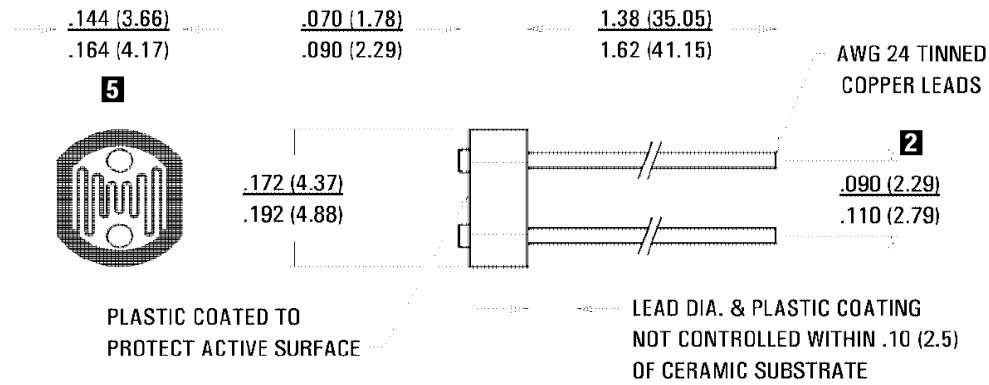
## Spectral Response

Figure 3 Spectral response



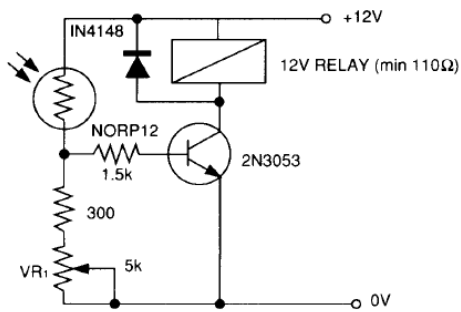
Like the human eye, the relative sensitivity of a photoconductive cell is dependent on the wavelength (color) of the incident light. Each photoconductor material type has its own unique spectral response curve or plot of the relative response of the photocell versus wavelength of light.

## Dimensions



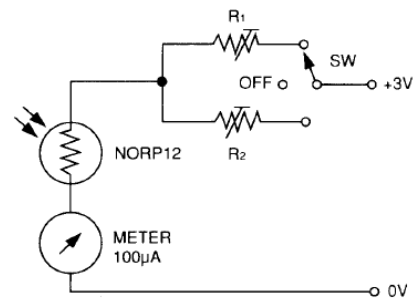
## Typical Application Circuits

Figure 6 Sensitive light operated relay



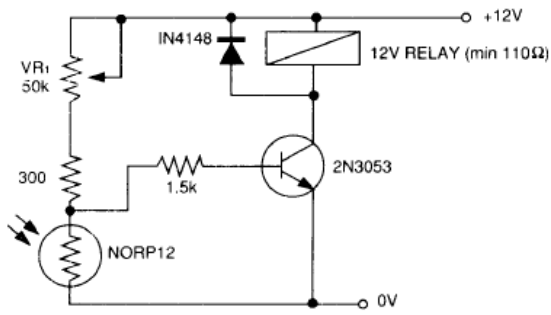
Relay energised when light level increases above the level set by VR<sub>1</sub>

Figure 9 Logarithmic law photographic light meter



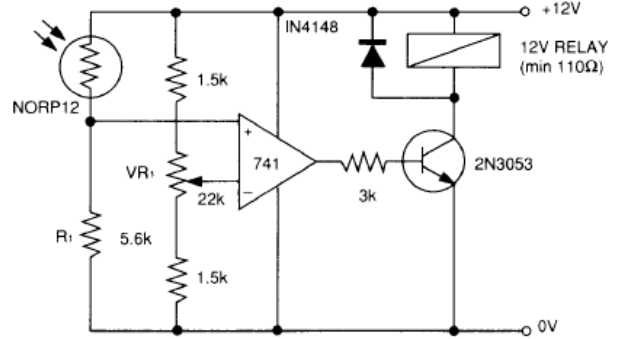
Typical value R<sup>1</sup> = 100kΩ  
 R<sup>2</sup> = 200kΩ preset to give two overlapping ranges.  
 (Calibration should be made against an accurate meter.)

Figure 7 Light interruption detector



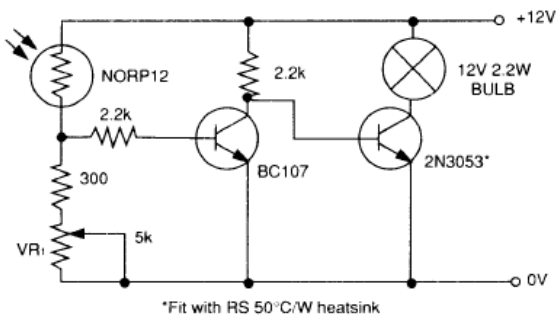
As Figure 6 relay energised when light level drops below the level set by  $VR_1$

Figure 10 Extremely sensitive light operated relay



(Relay energised when light exceeds preset level.)  
Incorporates a balancing bridge and op-amp.  $R_1$  and NORP12 may be interchanged for the reverse function.

Figure 8 Automatic light circuit



\*Fit with RS 50°C/W heatsink