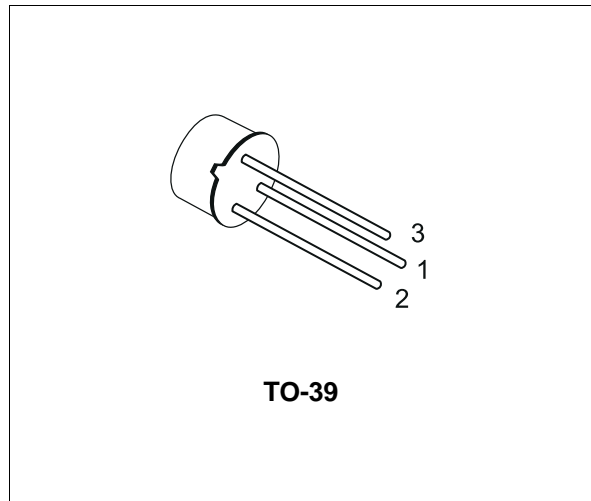


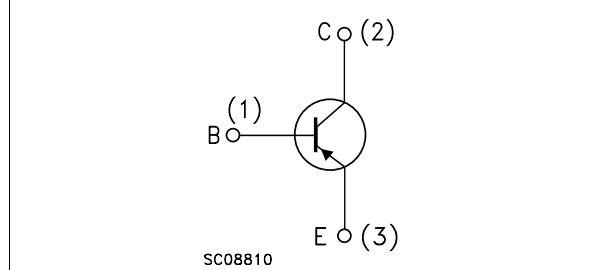
SMALL SIGNAL PNP TRANSISTOR

DESCRIPTION

The 2N4033 is a silicon Planar Epitaxial PNP transistor in Jedec TO-39 metal case primary intended for large signal, low noise industrial applications.



INTERNAL SCHEMATIC DIAGRAM



ABSOLUTE MAXIMUM RATINGS

Symbol	Parameter	Value	Unit
V_{CBO}	Collector-Base Voltage ($I_E = 0$)	-80	V
V_{CEO}	Collector-Emitter Voltage ($I_B = 0$)	-80	V
V_{EBO}	Emitter-Base Voltage ($I_C = 0$)	-5	V
I_C	Collector Current	-1	A
P_{tot}	Total Dissipation at $T_{amb} \leq 45\text{ }^\circ\text{C}$ at $T_C \leq 45\text{ }^\circ\text{C}$	0.8	W
		4	W
T_{stg}	Storage Temperature	-55 to 175	$^\circ\text{C}$
T_j	Max. Operating Junction Temperature	175	$^\circ\text{C}$

THERMAL DATA

R _{thj-case}	Thermal Resistance Junction-Case	Max	37.5	°C/W
R _{thj-amb}	Thermal Resistance Junction-Ambient	Max	187.5	°C/W

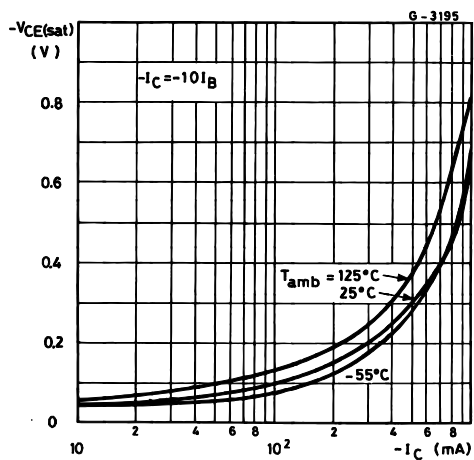
ELECTRICAL CHARACTERISTICS (T_{case} = 25 °C unless otherwise specified)

Symbol	Parameter	Test Conditions	Min.	Typ.	Max.	Unit
I _{CBO}	Collector Cut-off Current (I _E = 0)	V _{CE} = -60 V V _{CE} = -60 V T _C = 150 °C			-50 -50	nA μA
V _{(BR)CBO}	Collector-Base Breakdown Voltage (I _E = 0)	I _C = -10 μA	-80			V
V _{(BR)CEO*}	Collector-Emitter Breakdown Voltage (I _B = 0)	I _C = -10 mA	-80			V
V _{(BR)EBO}	Emitter-Base Breakdown Voltage (I _C = 0)	I _E = -10 μA	-5			V
V _{CE(sat)*}	Collector-Emitter Saturation Voltage	I _C = -150 mA I _B = -15 mA I _C = -500 mA I _B = -50 mA			-0.15 -0.5	V V
V _{BE(sat)*}	Base-Emitter Saturation Voltage	I _C = -150 mA I _B = -15 mA I _C = -500 mA I _B = -50 mA			-0.9 -1.1	V V
h _{FE*}	DC Current Gain	I _C = -100 μA V _{CE} = -5 V I _C = -100 mA V _{CE} = -5 V I _C = -500 mA V _{CE} = -5 V I _C = -1 A V _{CE} = -5 V I _C = -100 mA V _{CE} = -5 V T _{amb} = -55 °C	75 100 70 25 40		300	
f _T	Transition Frequency	I _C = -50 mA V _{CE} = -10 V f = 100 MHz	150		500	MHz
C _{EBO}	Emitter-Base Capacitance	I _E = 0 V _{EB} = -0.5 V f = 1MHz			110	pF
C _{CBO}	Collector-Base Capacitance	I _C = 0 V _{CB} = -10 V f = 1MHz			20	pF
t _{s**}	Storage Time	I _C = -500 mA V _{CC} = -30 V I _{B1} = -I _{B2} = -50 mA			350	ns
t _{r**}	Fall Time	I _C = -500 mA V _{CC} = -30 V I _{B1} = -I _{B2} = -50 mA			50	ns
t _{on**}	Turn-on Time	I _C = -500 mA V _{CC} = -30 V I _{B1} = -I _{B2} = -50 mA			100	ns

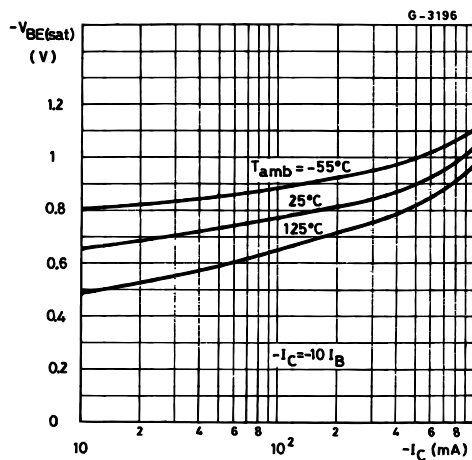
* Pulsed: Pulse duration = 300 μs, duty cycle ≤ 1 %

** See Test Circuit

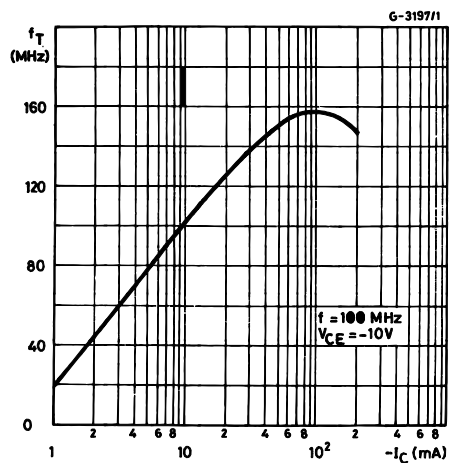
Collector Emitter Saturation Voltage.



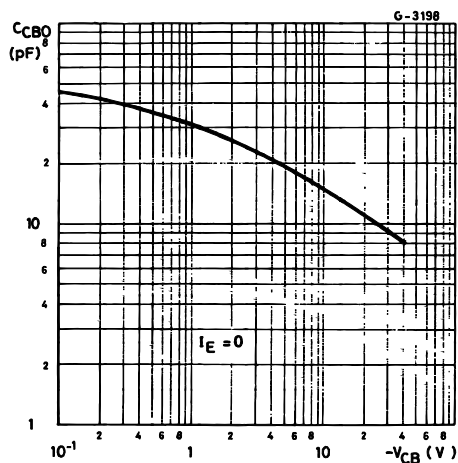
Base Emitter Saturation Voltage.



Transition Frequency.

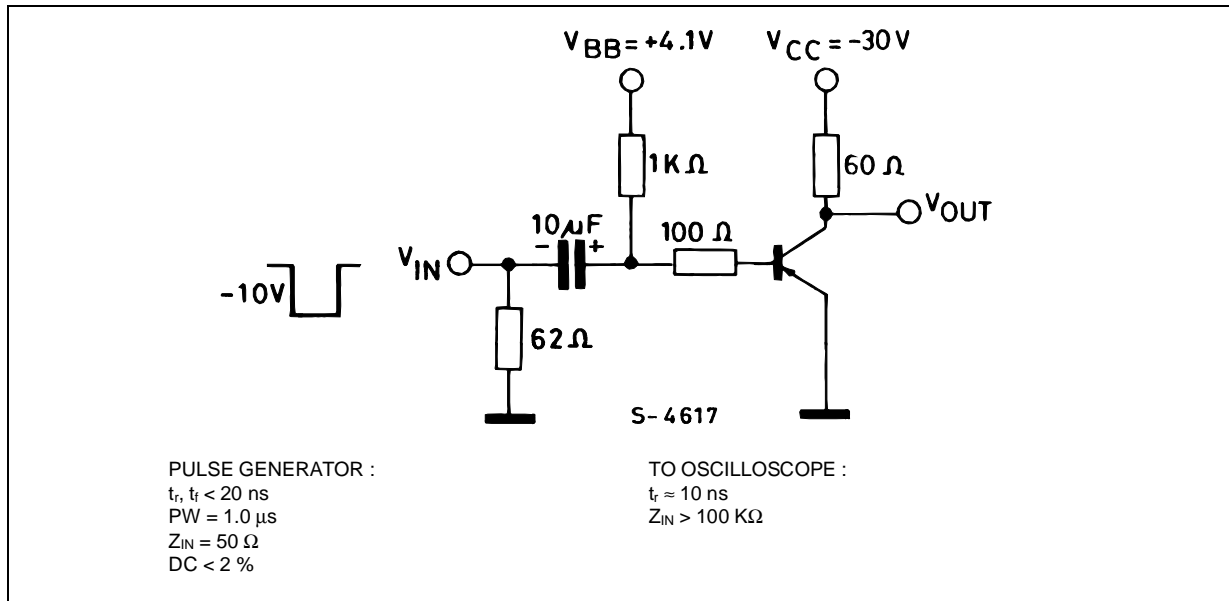


Collector Base Capacitance.



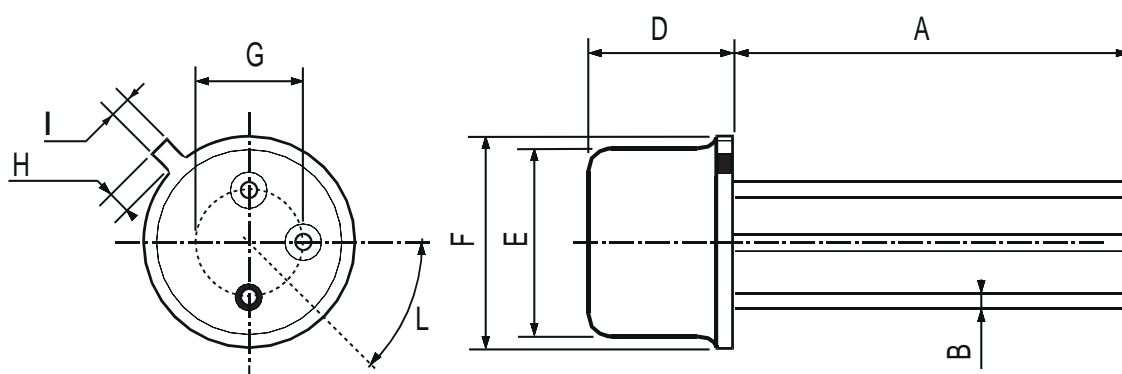
2N4033

Test Circuit for t_{on} , t_s , t_f .



TO-39 MECHANICAL DATA

DIM.	mm			inch		
	MIN.	TYP.	MAX.	MIN.	TYP.	MAX.
A	12.7			0.500		
B			0.49			0.019
D			6.6			0.260
E			8.5			0.334
F			9.4			0.370
G	5.08			0.200		
H			1.2			0.047
I			0.9			0.035
L	45° (typ.)					



P008B

Information furnished is believed to be accurate and reliable. However, STMicroelectronics assumes no responsibility for the consequences of use of such information nor for any infringement of patents or other rights of third parties which may result from its use. No license is granted by implication or otherwise under any patent or patent rights of STMicroelectronics. Specification mentioned in this publication are subject to change without notice. This publication supersedes and replaces all information previously supplied. STMicroelectronics products are not authorized for use as critical components in life support devices or systems without express written approval of STMicroelectronics.

The ST logo is a trademark of STMicroelectronics

© 2002 STMicroelectronics – Printed in Italy – All Rights Reserved

STMicroelectronics GROUP OF COMPANIES

Australia - Brazil - Canada - China - Finland - France - Germany - Hong Kong - India - Israel - Italy - Japan - Malaysia - Malta - Morocco - Singapore - Spain - Sweden - Switzerland - United Kingdom - United States.

<http://www.st.com>